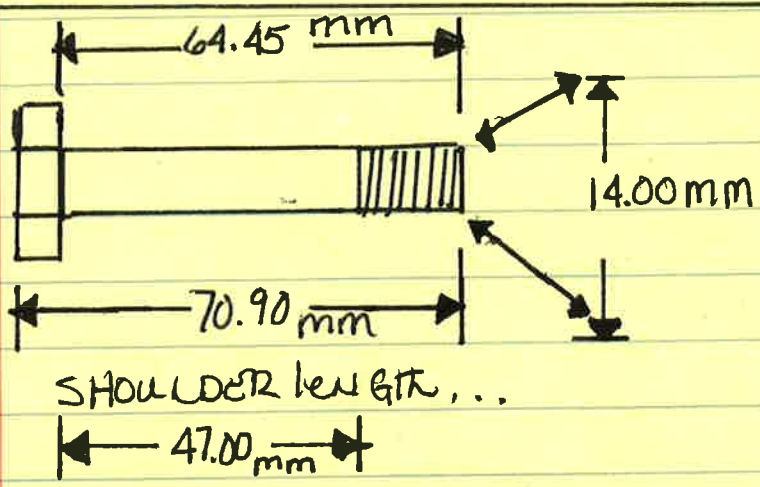


5058

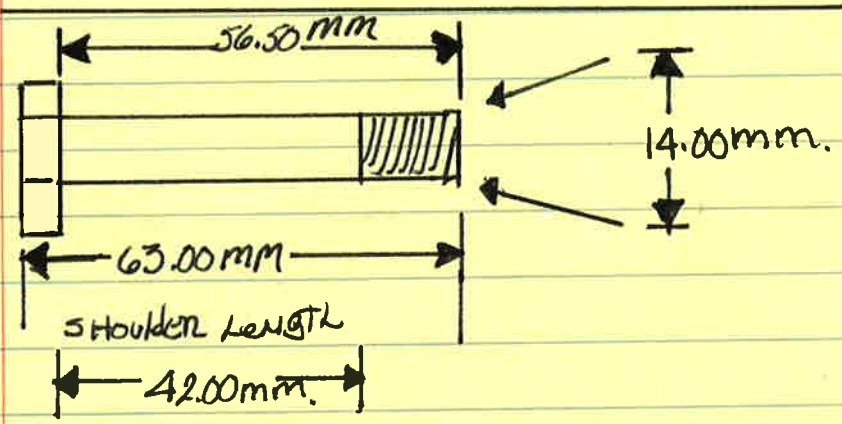
Bolt lengths GIANOINNOE

FRONT upright
Bolts.
2 NEEDED...
lower.

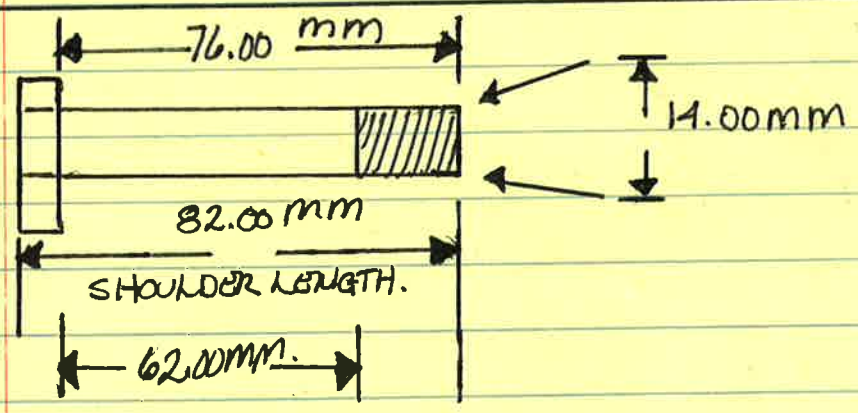


Washers
14mm.
STANDARD
& HALF THICKS
8 STANDARDS.
8 HALF THICKS.

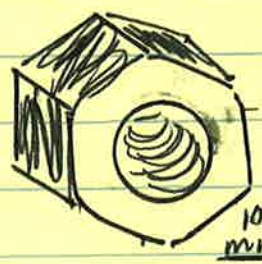
FRONT lower
A-ARM
INNER FRONT
NEED 2 OF
them...



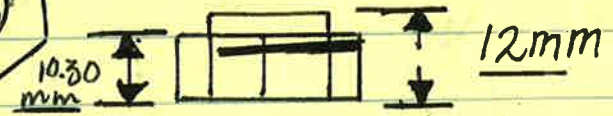
FRONT lower
A-ARM
INNER REAR
NEED 2 OF
them...

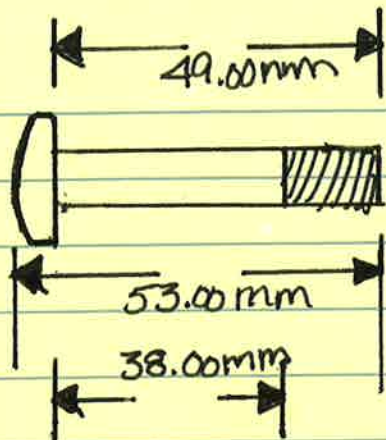


Nuts
14x 1.50 mm
12mm TALL...
8 Nuts.



NUT... 14x 1.50 mm
12mm High (TALL) NUTS..





8mm x

OUTER TOE LINK TO UPRIGHT BOLT.

NEED 2
OF THEM.

NEED

4 -

8mm x 1.25mm set nuts...